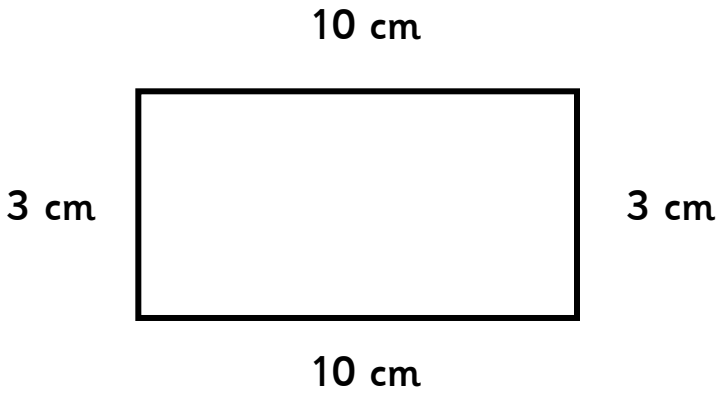


Finding the perimeter

What is the perimeter of this shape?

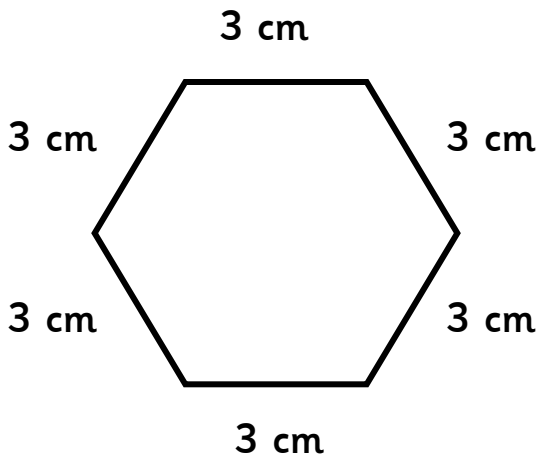


18 cm

classroomsecrets.com

Finding the perimeter

What is the perimeter of this shape?

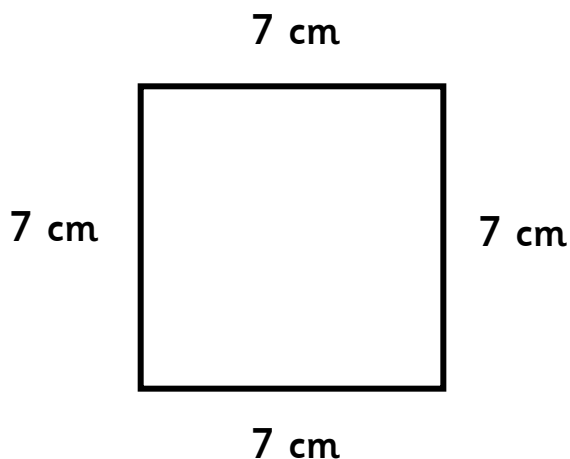


28 cm

classroomsecrets.com

Finding the perimeter

What is the perimeter of this shape?

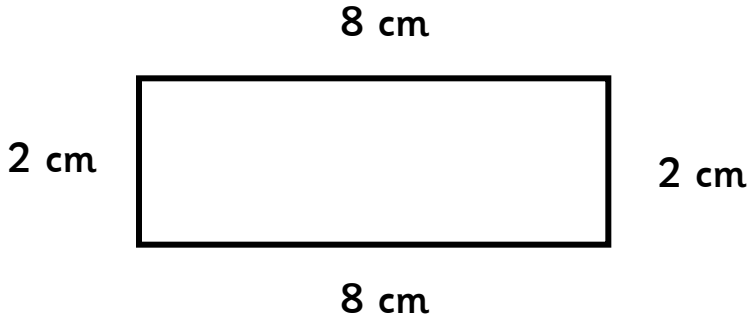


20 cm

classroomsecrets.com

Finding the perimeter

What is the perimeter of this shape?

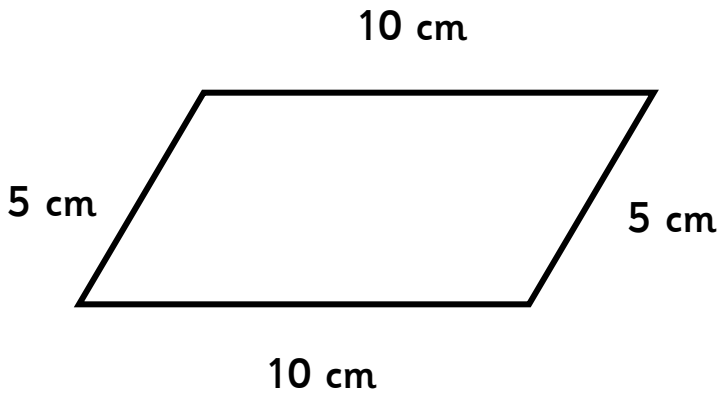


**30 cm**

classroomsecrets.com

Finding the perimeter

What is the perimeter of this shape?

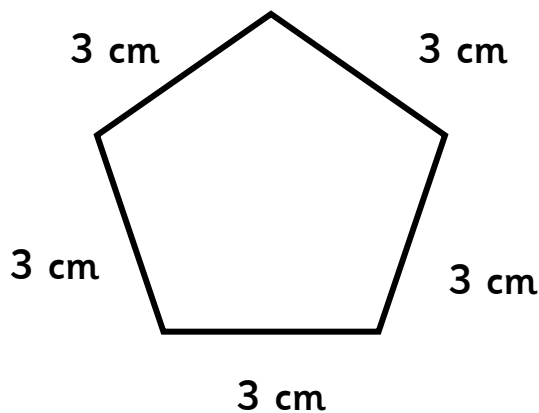


**15 cm**

classroomsecrets.com

Finding the perimeter

What is the perimeter of this shape?

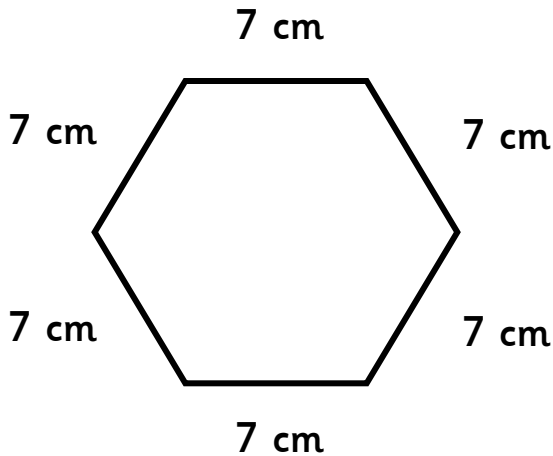


**42 cm**

classroomsecrets.com

Finding the perimeter

What is the perimeter of this shape?

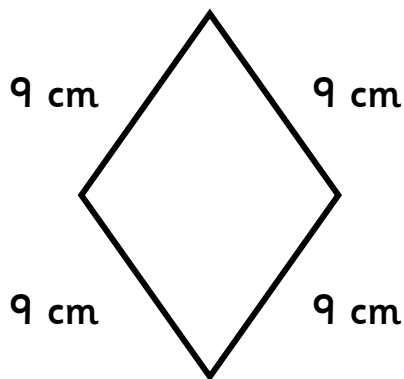


36 cm

classroomsecrets.com

Finding the perimeter

What is the perimeter of this shape?

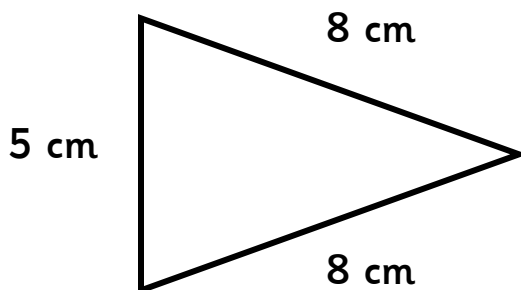


21 cm

classroomsecrets.com

Finding the perimeter

What is the perimeter of this shape?



26 cm

classroomsecrets.com